

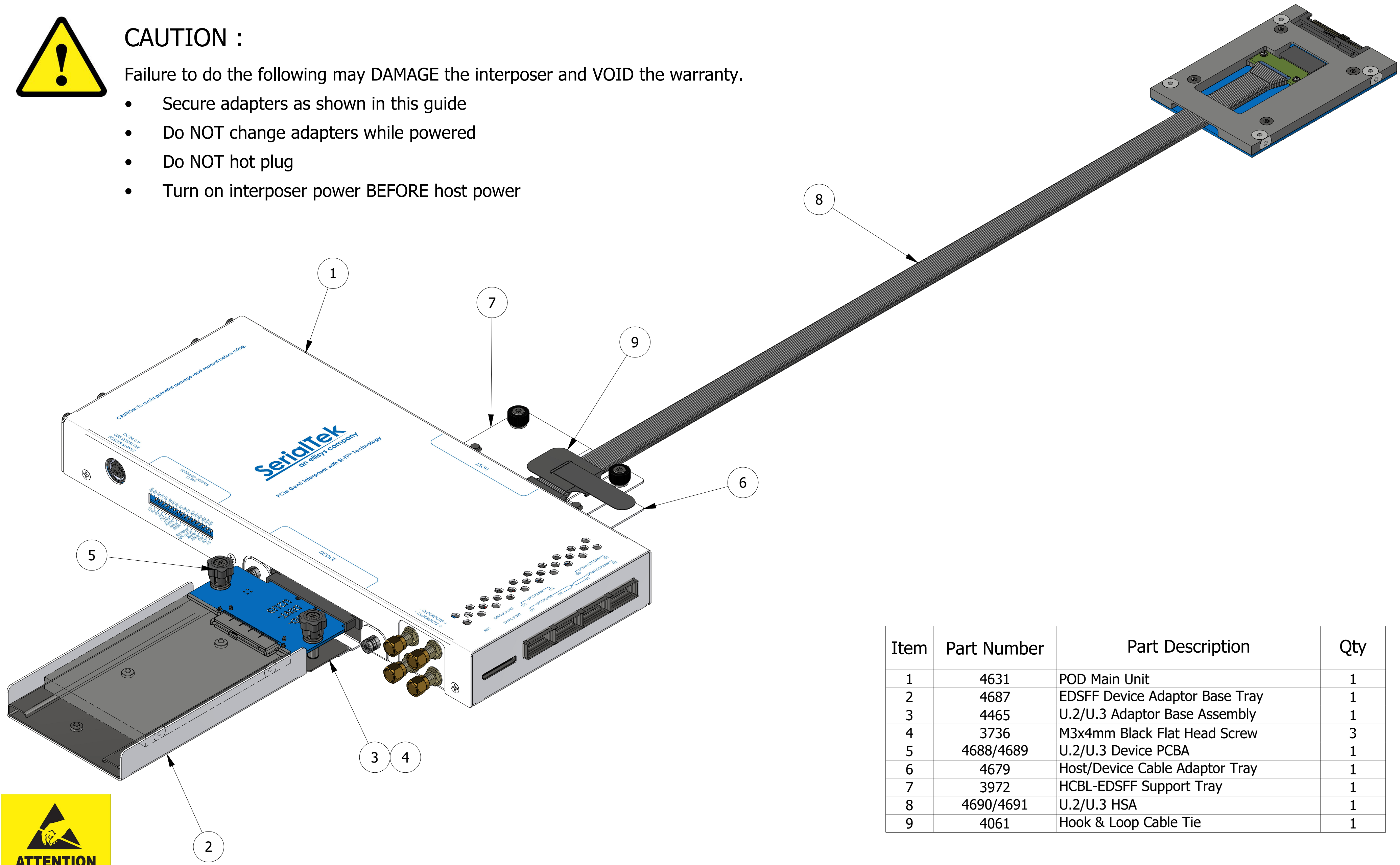
Gen5 POD U.2/U.3 Edition Assembly Reference



CAUTION :

Failure to do the following may DAMAGE the interposer and VOID the warranty.

- Secure adapters as shown in this guide
- Do NOT change adapters while powered
- Do NOT hot plug
- Turn on interposer power BEFORE host power



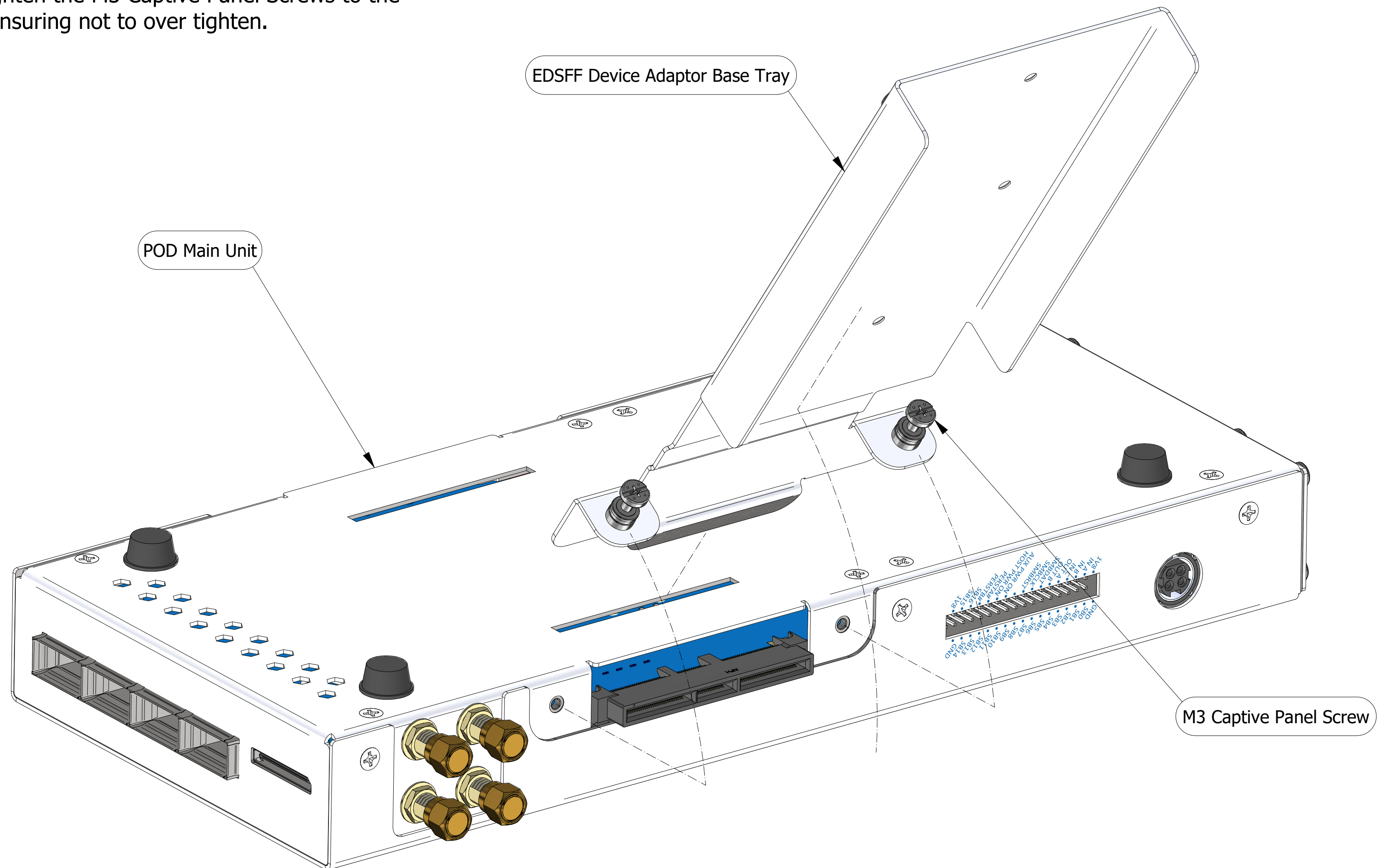
Item	Part Number	Part Description	Qty
1	4631	POD Main Unit	1
2	4687	EDSFF Device Adaptor Base Tray	1
3	4465	U.2/U.3 Adaptor Base Assembly	1
4	3736	M3x4mm Black Flat Head Screw	3
5	4688/4689	U.2/U.3 Device PCBA	1
6	4679	Host/Device Cable Adaptor Tray	1
7	3972	HCBL-EDSFF Support Tray	1
8	4690/4691	U.2/U.3 HSA	1
9	4061	Hook & Loop Cable Tie	1



Gen5 POD U.2/U.3 Edition Assembly Reference

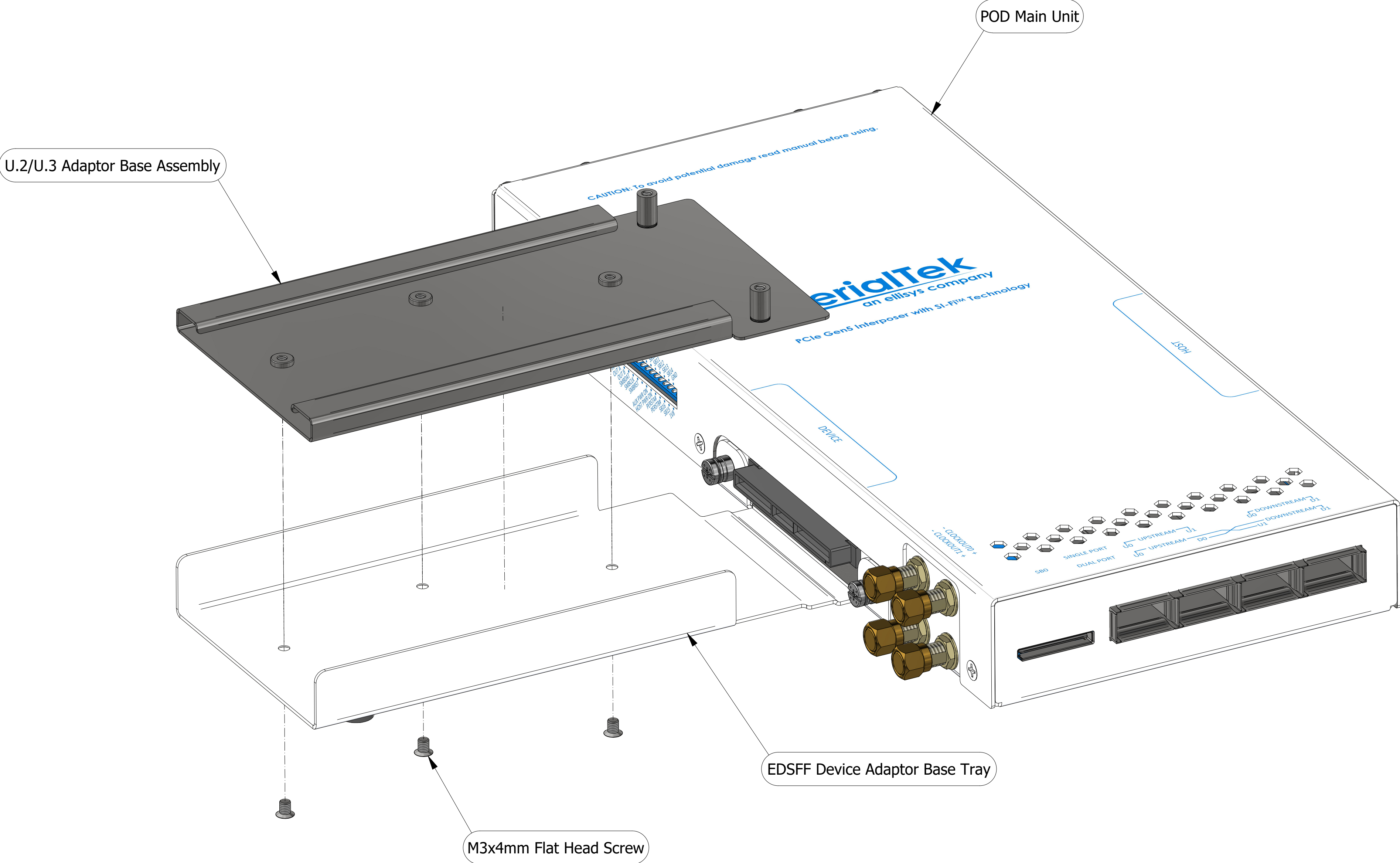
Slide the EDSFF Device Adaptor Base Tray into the slot on the DEVICE side on the underside of the POD Main Unit at an angle of about 60°.

Rotate the EDSFF Device Adaptor Base Tray so it is horizontal and tighten the M3 Captive Panel Screws to the POD Main Unit, ensuring not to over tighten.



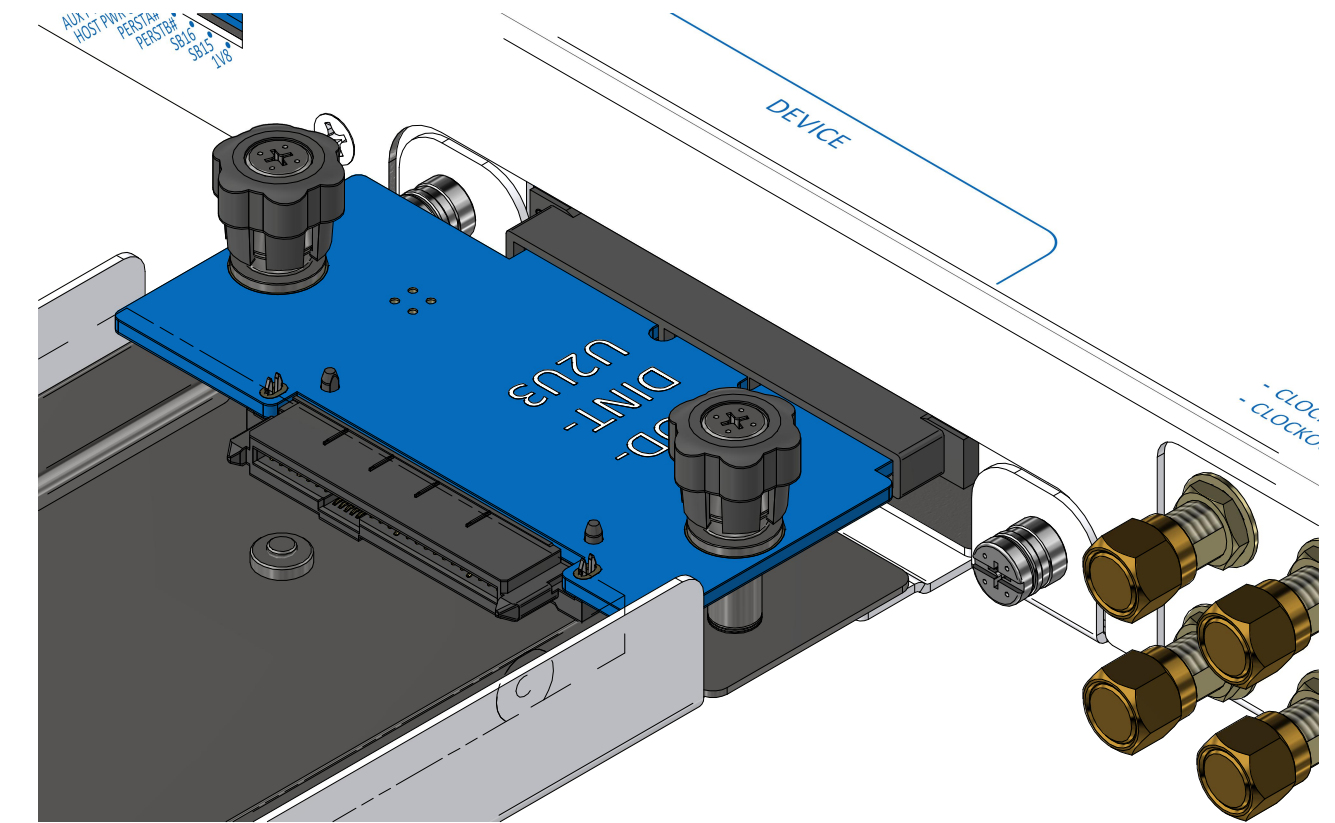
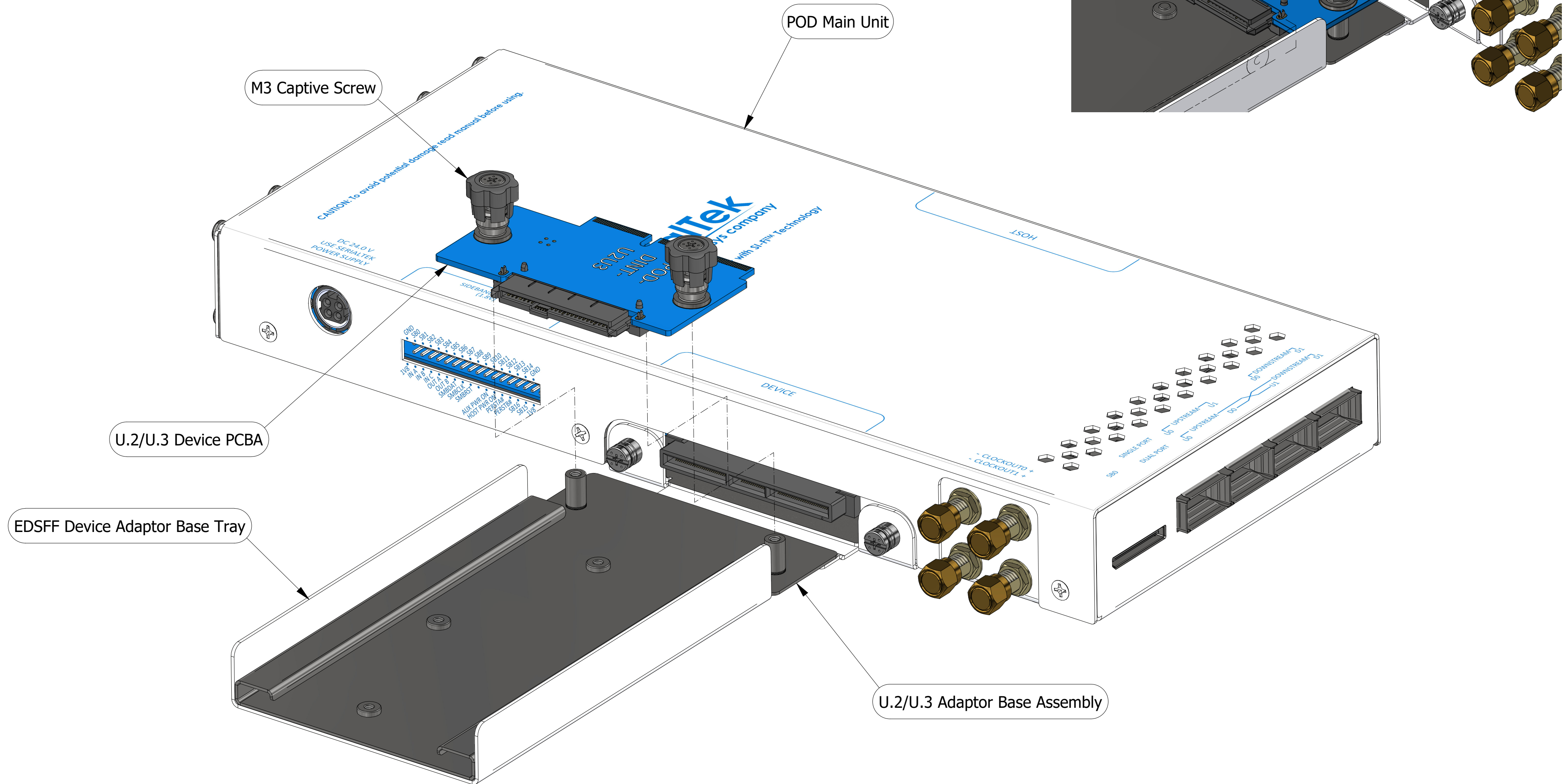
Gen5 POD U.2/U.3 Edition Assembly Reference

Fix the U.2/U.3 Adaptor Base Assembly to the EDSFF Device Adaptor Base Tray using three M3 x 4mm Flat Head screws



Gen5 POD U.2/U.3 Edition Assembly Reference

Raise M3 Captive Screws till it resists and screw thread clears the underside of PCBA, then slide the U.2/U.3 Device PCBA into the connector on the DEVICE side of the POD Unit and secure in position on the U.2/U.3 Adaptor Base Assembly with M3 Captive Screws.



Gen5 POD U.2/U.3 Edition Assembly Reference

Slide the Host/Device Cable Adaptor Tray into the slot on the HOST side on the underside of the POD Main Unit at an angle of about 60°.

Rotate the Cable Adaptor Tray so it is horizontal and tighten the M3 Captive Panel Screws to the POD Main Unit, ensuring not to over tighten.

